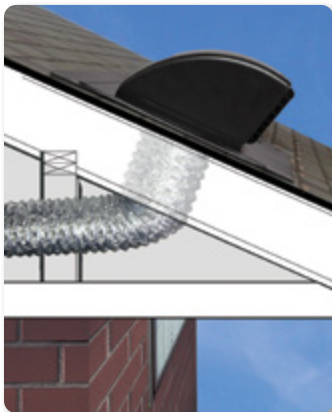


ROOF EXHAUST CAP

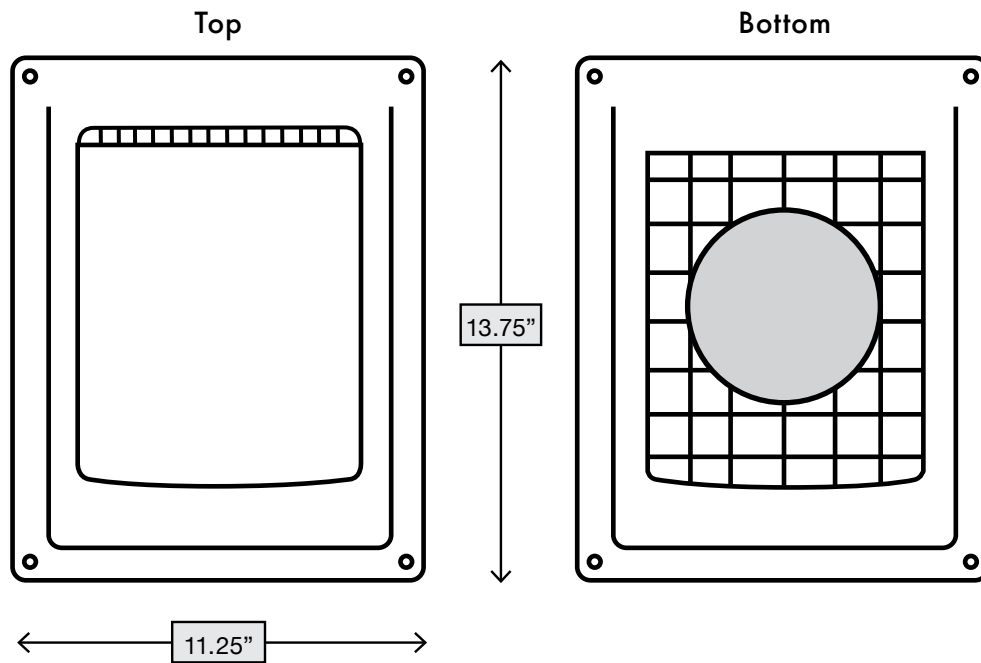
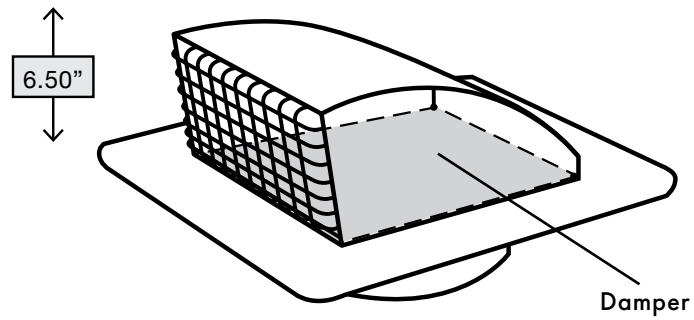


- Ideal for exhausting kitchen or bathroom fans through the roof
- High-impact copolymer with UV stabilizer — won't discolour or crack like cheap plastic
- Built-in backdraft damper — stops cold air, snow & rain from entering (hello heating bill savings!)
- Molded barrier ring — creates a watertight seal
- Fits 4" or 6" ducts

Product Code	UPC Code 060672	Size	Packaging	Pack Qty.	Pack Wt. (lbs)	Pack Cube (cu. ft.)
RL4P	245208	4"	Bulk - Black	4	6	2.29
RL6P	245017	6"	Bulk - Black	4	6	2.29

MATERIAL: High Impact Copolymer

COLLAR SIZES: 4" and 6"



Scan this QR code to view helpful product feature and installation videos

11099 Broadway, Alden, New York, USA 14004
80 West Drive, Brampton, Ontario, Canada L6T 3T6

1.800.387.2578
dundasjfine.com