



REPLACEMENT VENT CAP AND GASKET KIT

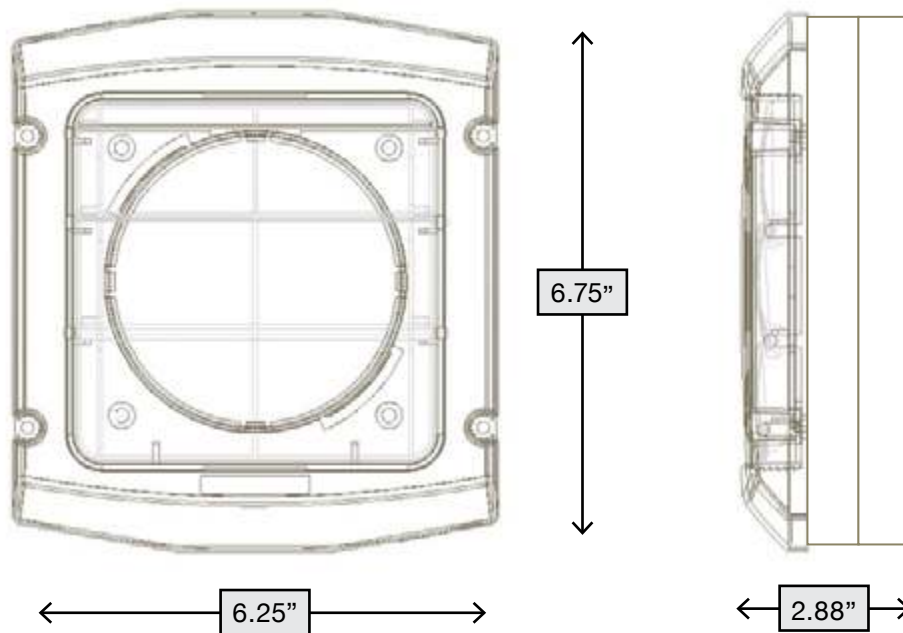
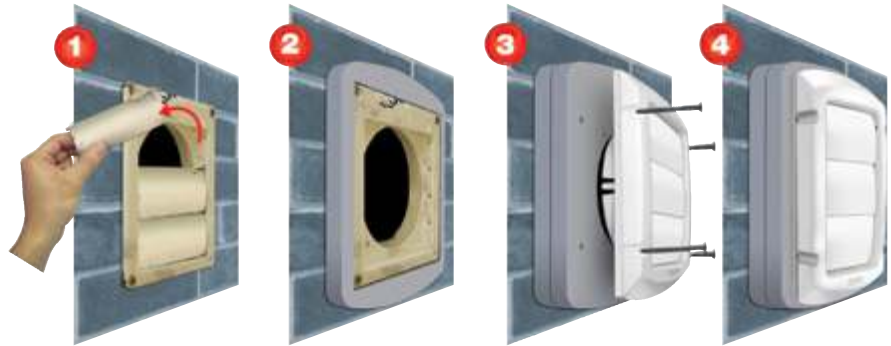


- Quick and easy solution for damaged or hard to remove vent caps
- Install a new vent cap over the existing one, eliminating the need for removal
- Eliminates the possibility of damage to the siding, brick or stucco through removal process of old cap
- Fits all existing louvered 4" vent caps
- Kit can be used with Dundas Jafine ProVent, ProGard, EzAccess and ProMax products

Product Code	UPC Code 060672	Size	Packaging	Pack Qty.	Pack Wt. (lbs)	Pack Cube (cu. ft.)
EZFXZW	803002	4"	Retail Box / Cut Case - White	8	0.54	0.09

MATERIAL: Polypropylene with UV inhibitor

COLLAR SIZES: 4"



Scan this QR code to view helpful product feature and installation videos

11099 Broadway, Alden, New York, USA 14004
80 West Drive, Brampton, Ontario, Canada L6T 3T6

1.800.387.2578
dundasjafine.com