



Dryer Vent Kit

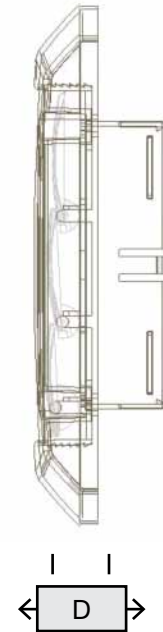
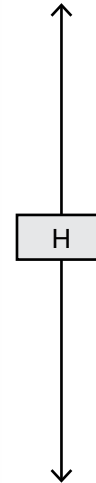
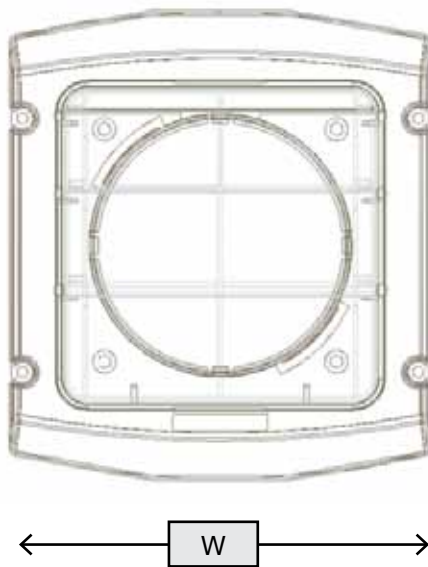
PROFESSIONAL SERIES



- Includes 4" x 8' ProFlex™ 2158A UL listed and marked transition duct, 2 plastic adjustable clamps and a 4" ProVent™ exhaust hood
- Cammed louvers on ProVent™ cap easily pivot to help prevent sticking
- Snap on aluminum pipe to cap assembly eliminates the need for lint trapping staples
- Cap can be painted to match the home's exterior
- UV resistant plastic protects cap from harmful effects of the sun
- Molded caulk edge assists the installer in maintaining a clean caulking application and finished look

Product Code	UPC Code 060672	Size	Packaging	Pack Qty.	Pack Wt. (lbs)	Pack Cube (cu. ft.)
TD48PVKZW	268184	4"	Retail Box / Cut Case - White	12	15	3.85
TD48PVKZW6	268160	4"	Retail Box / Cut Case - White	6	7.5	1.92

Material: Polypropylene with UV inhibitor
Collar Sizes: 4"



Scan this QR code to view helpful product feature and installation videos