

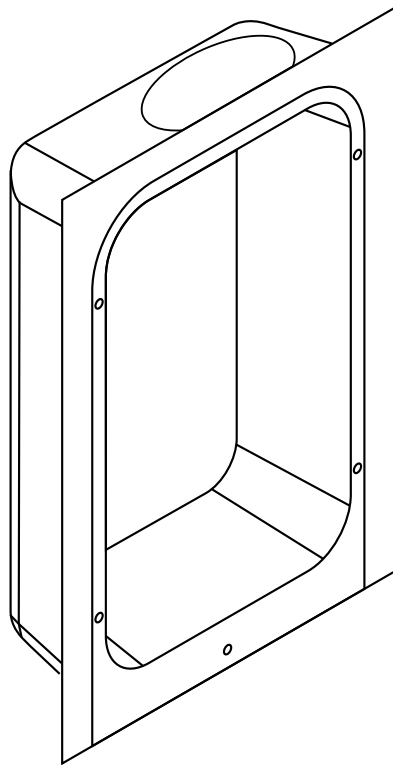
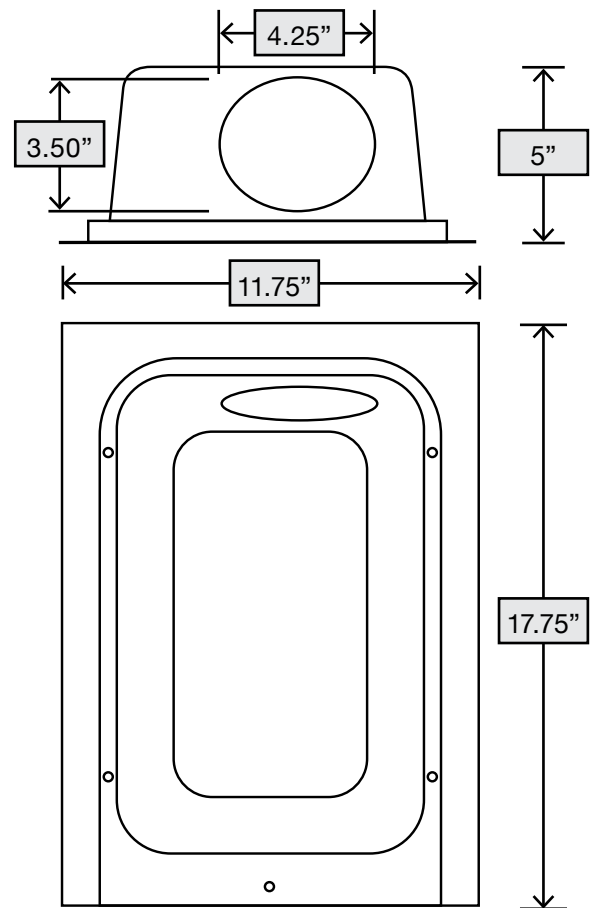
METAL RECESSED DRYER VENT BOX



- Ideal use with gas and electric dryer applications
- Provides a space saving solution for your dryer venting
- Prevents dryer duct from being crushed
- To be used in 2"x 4" or 2" x 6" wall applications

PRODUCT CODE	UPC CODE 060672	SIZE	PACKAGING	PACK QTY.	PACK WT. (LBS)	PACK CUBE (CU. FT.)
MDRB	802128	4"	Bulk	2	4	0.78

MATERIAL: Steel



Scan this QR code to view helpful product feature and installation videos

11099 Broadway, Alden, New York, USA 14004
80 West Drive, Brampton, Ontario, Canada L6T 3T6

1.800.387.2578
dundasjfine.com