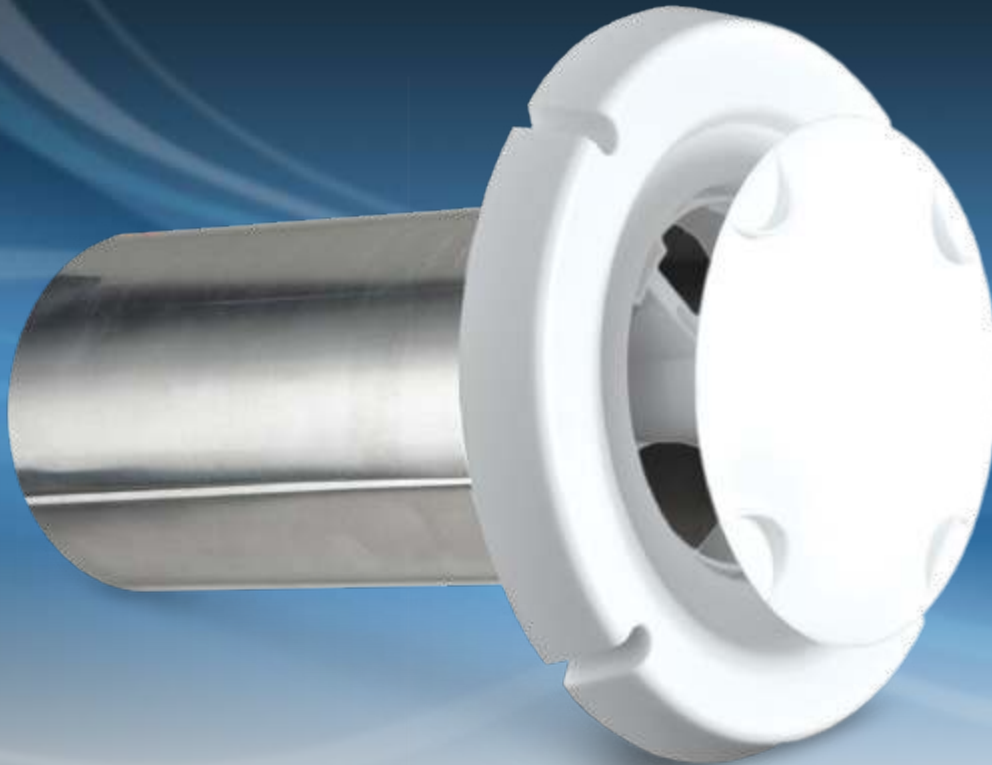


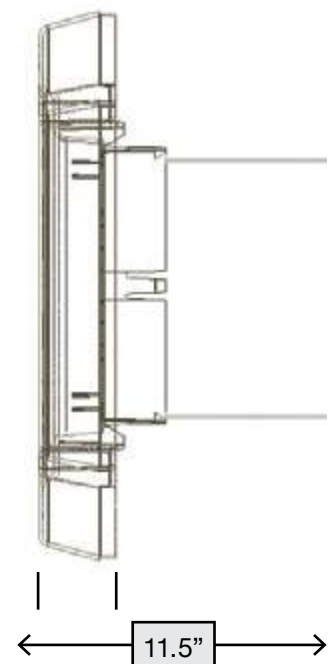
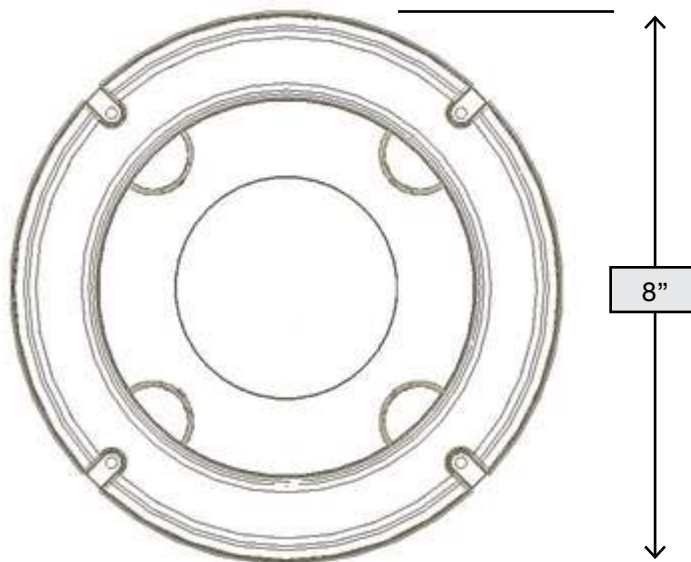
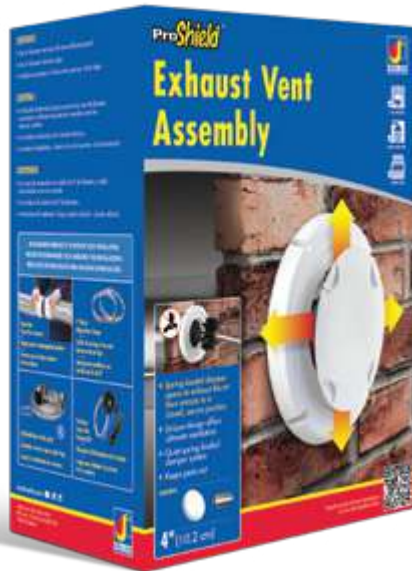
ProShield™ EXHAUST HOOD



- Spring loaded damper system offers complete noise control with no flapping of louvers or dampers during inclement weather
- Prevents pests from entering the vent
- Center shield can be removed for ease of cleaning
- Snap on aluminum pipe to cap assembly eliminates the need for lint trapping staples
- UV resistant plastic protects cap from harmful effects of the sun
- Molded caulk edge assists the installer in maintaining a clean caulking application and finished look
- Designed to snap on/off j-channels for ease of installation and replacement

Product Code	UPC Code 060672	Size	Packaging	Pack Qty.	Pack Wt. (lbs)	Pack Cube (cu. ft.)
PSH4WXZ	801022	4"	Bulk - White	8	7	2.36
BPSH4WZW	801015	4"	Retail Box / Cut Case - White	4	4	1.31

MATERIAL: Polypropylene with UV inhibitor
COLLAR SIZES: 4"



Scan this QR code to view helpful product feature and installation videos

11099 Broadway, Alden, New York, USA 14004
 80 West Drive, Brampton, Ontario, Canada L6T 3T6

1.800.387.2578
 dundasjafine.com