

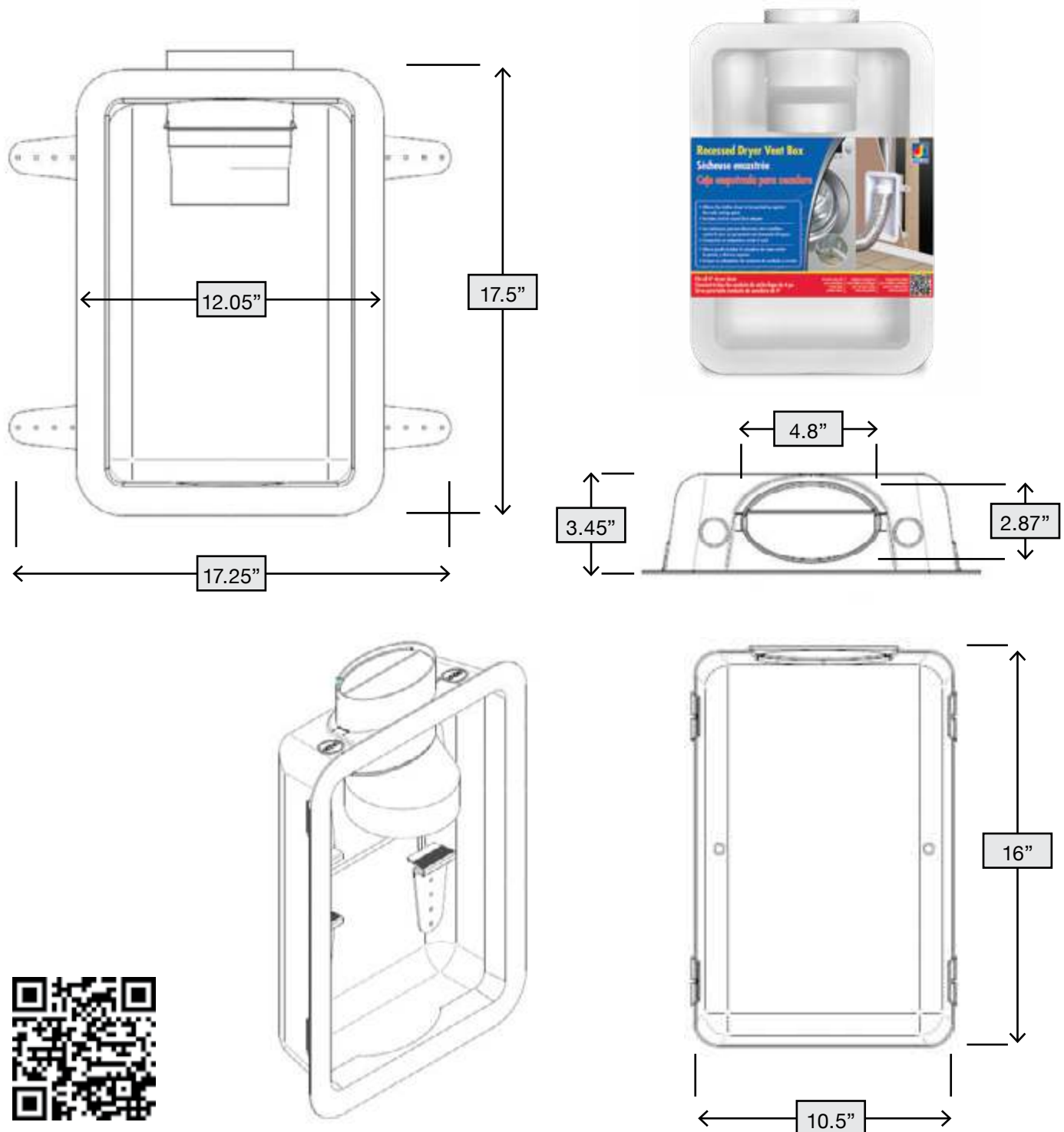
# RECESSED DRYER VENT BOX



- Dryer can be pushed up against the wall of the laundry room, saving space
- Prevents duct from crushing
- Built in draft blocker reduces cold air back draft
- Oval to round duct adapter threads onto duct requiring no clamps for installation
- Suitable for gas and electric dryer applications

| Product Code | UPC Code<br>060672 | Size | Packaging                      | Pack Qty. | Pack Wt.<br>(lbs) | Pack Cube<br>(cu. ft.) |
|--------------|--------------------|------|--------------------------------|-----------|-------------------|------------------------|
| DRB4XZW      | 802005             | 4"   | Retail Bulk / Cut Case - White | 2         | 4                 | 1.04                   |

**MATERIAL:** High Impact Polypropylene  
**COLLAR SIZES:** Meets UL standard 94HB tests for flammability



Scan this QR code to view helpful product feature and installation videos

11099 Broadway, Alden, New York, USA 14004  
 80 West Drive, Brampton, Ontario, Canada L6T 3T6

1.800.387.2578  
 dundasjafine.com