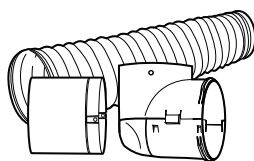


Use and Care Guide

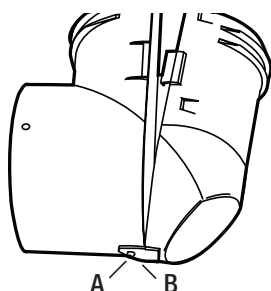
Dryer to Duct Connector Kit



Installation

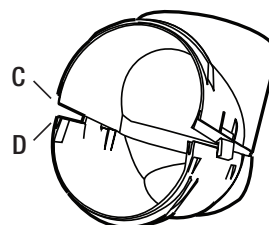
1 ASSEMBLING THE DRYER TO DUCT CONNECTOR

- Insert the bottom notch (A) into the receptacle (B).



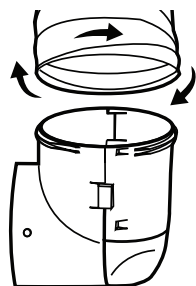
2 SNAPPING THE DRYER TO DUCT CONNECTOR TOGETHER

- Carefully snap the two sections together, ensuring that each lip (C) is inserted into its corresponding V groove (D) (2 per side). The part should make a snapping sound once secured.



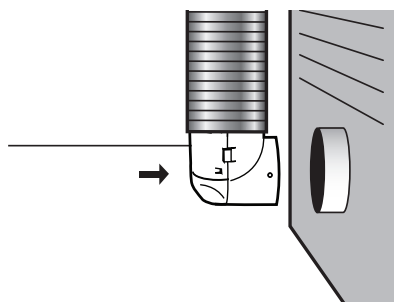
3 ATTACHING THE TRANSITION DUCT

- Unravel a 6 in. portion of the duct. Insert the threaded end of the dryer to duct connector into the end of the duct, and turn it clockwise until all threads on the connector grasp firmly inside the duct.



4 ATTACHING THE CONNECTOR TO THE DRYER

- Secure the connector by pushing it over the exhaust port of the dryer until it is firmly in place. Extend the duct, and slide the dryer back against the wall.



Notice

Some dryers may have a recessed exhaust port that will require the optional extension piece (included).

Warranty

WHAT IS COVERED

All merchandise is warranted to be free from defects in workmanship and material for one year from the date of purchase. This includes normal wear and performance failure on items. The manufacturer will replace or repair at their option.

WHAT IS NOT COVERED

This warranty only covers normal wear and performance failure. It does not cover any malfunction, performance failure, or defect arising from the misuse, abuse, neglect, or modification of the product. Any damage or malfunction inflicted upon the product by the user or other external sources, or any failure to comply with the warnings and instructions, is not covered.

For further assistance visit www.DundasJafine.com.