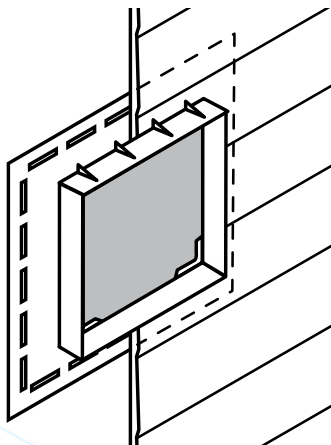
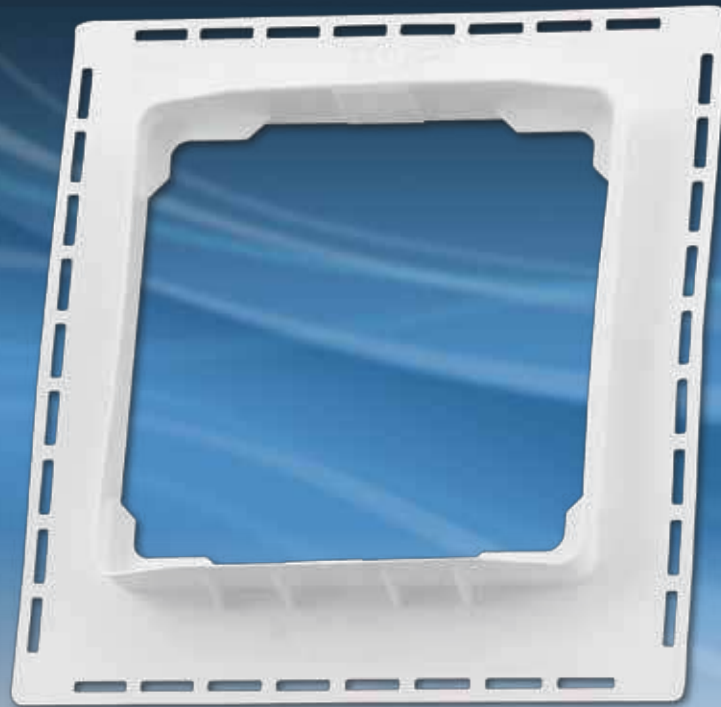


J-Channel Flange



- Mounts on exterior wall prior to installation of vinyl siding or stucco
- Allows for Dundas Jafine vent caps to seamlessly attach to channel without the use of screws or caulking
- Provides a secure, easy to install flush mount for vent caps
- Allows for quick and easy cap replacement in the future
- Channels moisture away from substrate and venting hole
- Can be used with Dundas Jafine ProVent™, ProGard™, Ez Access™ and ProShield™ caps and hoods

Product Code	UPC Code 060672	Size	Packaging	Pack Qty.	Pack Wt. (lbs)	Pack Cube (cu. ft.)
J34X	270842	3", 4"	Bulk - White	42	8	1.43
J56X	271009	5", 6"	Bulk - White	36	15	3.60
J78X	271139	7", 8"	Bulk - White	56	26	5.07

Material: Polypropylene with UV inhibitor

Collar Sizes: 3", 4", 5", 6", 7", 8"

Collar Size	Dimensions		
	H	W	D
3", 4"	8.5"	7.5"	1.25"
5", 6"	11"	10.25"	1.5"
7", 8"	13"	12.25"	1.5"

